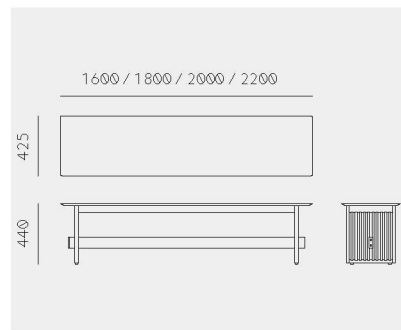


Lattice Bench
Norm Architects
ラティス ベンチ
ノーム・アーキテクト



Lattice Table 160

Material	Oak (White, Natural, Smoke) / Ash (Sumi)
Net. Size	W 1600 × D 425 × H 440 / CBM 0.17
Weight	25 KG

Lattice Table 180

Material	Oak (White, Natural, Smoke) / Ash (Sumi)
Net. Size	W 1800 × D 425 × H 440 / CBM 0.18
Weight	27 KG

Lattice Table 200

Material	Oak (White, Natural, Smoke) / Ash (Sumi)
Net. Size	W 2000 × D 425 × H 440 / CBM 0.20
Weight	29 KG

Lattice Table 220

Material	Oak (White, Natural, Smoke) / Ash (Sumi)
Net. Size	W 2200 × D 425 × H 440 / CBM 0.22
Weight	31 KG

Finishes



Oak White



Oak Natural



Oak Smoke



Ash Sumi
