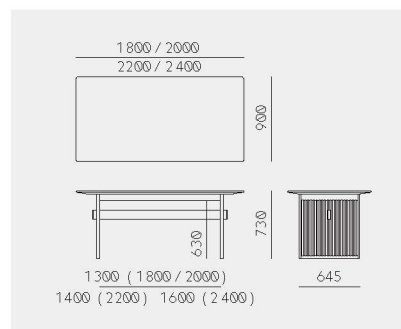


Lattice Table  
Norm Architects  
ラティス テーブル  
ノーム・アーキテクト



---

Lattice Table 180

---

Material	Oak (White, Natural, Smoke) / Ash (Sumi)
Net. Size	W 1800 × D 900 × H 730 / CBM 0.44
Weight	52.5 KG

---

Lattice Table 200

---

Material	Oak (White, Natural, Smoke) / Ash (Sumi)
Net. Size	W 2000 × D 900 × H 730 / CBM 0.47
Weight	55 KG

---

Lattice Table 220

---

Material	Oak (White, Natural, Smoke) / Ash (Sumi)
Net. Size	W 2200 × D 900 × H 730 / CBM 0.51
Weight	57 KG

---

Lattice Table 240

---

Material	Oak (White, Natural, Smoke) / Ash (Sumi)
Net. Size	W 2400 × D 900 × H 730 / CBM 0.54
Weight	60 KG

---

---

Finishes



Oak White



Oak Natural



Oak Smoke



Ash Sumi

---