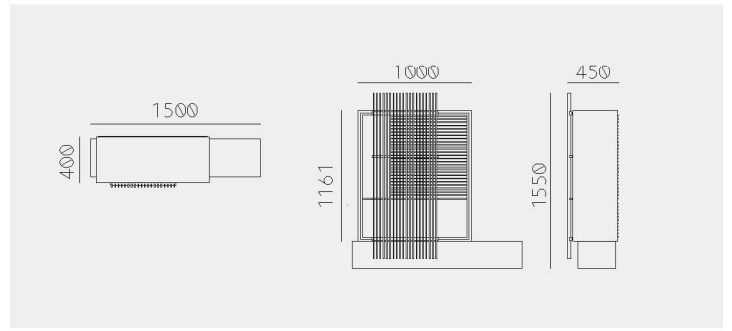
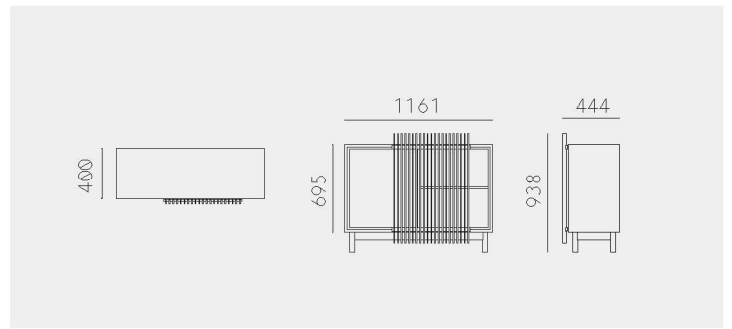
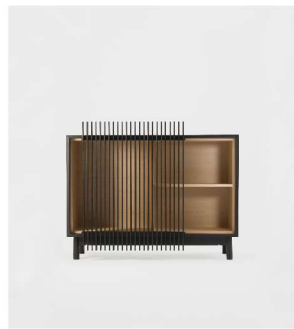


Kumiko Cabinets  
Staffan Holm  
組子キャビネット  
スタファン・ホルム



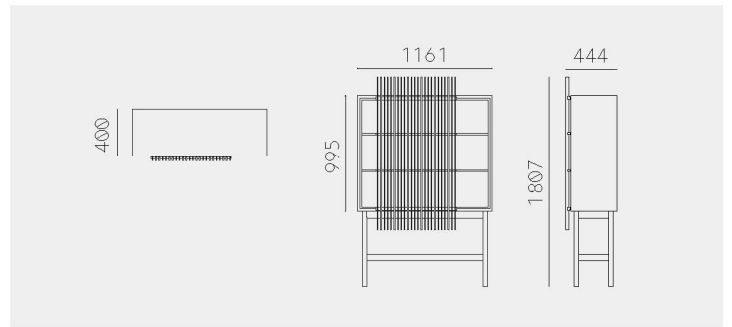
Kumiko Cabinet

Material	Ash (Sumi) + Hinoki (Natural)
Net. Size	W 1500 × D 450 × H 1550 / CBM 1.23
Weight	100 KG



Kumiko Cabinet Low

Material	Ash (Sumi) + Hinoki (Natural)
Net. Size	W 1161 × D 444 × H 938 / CBM 0.60
Weight	38 KG



Kumiko Cabinet Tall

Material	Ash (Sumi) + Hinoki (Natural)
Net. Size	W 1161 × D 444 × H 1807 / CBM 1.12
Weight	68 KG

Finishes



Ash Sumi



Hinoki Natural